

# COMER S-80 ENGINE



The Comer S-80 is highly successful in Cadet and sub-Junior classes both in Australia and around the world. The engine provides the ultimate in ease of use with its pull-starter and centrifugal clutch, along with great performance and reliability. Simply bolt it onto the kart and go racing!

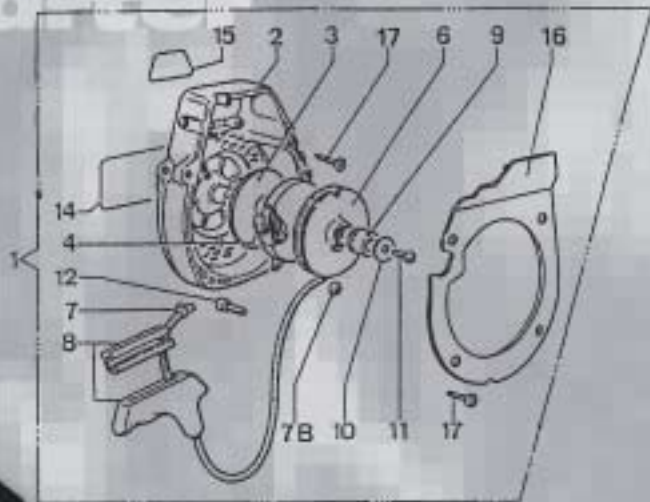
### Comer S-80 Engine

Bore: 52mm Stroke: 38mm

Horsepower: 6hp

Weight: 7kg

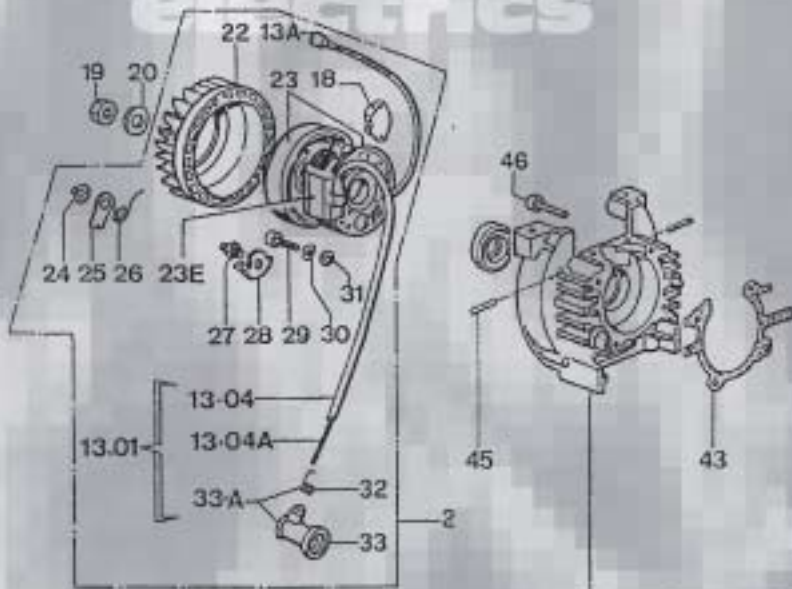
## starter



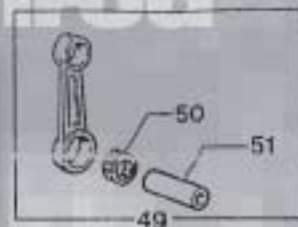
## exhaust



## electrics



## control



Numbered parts (in exploded diagrams only) are for easy cross referencing with DPE Price List. Consult Price List for complete listing of product codes, sizes etc.



